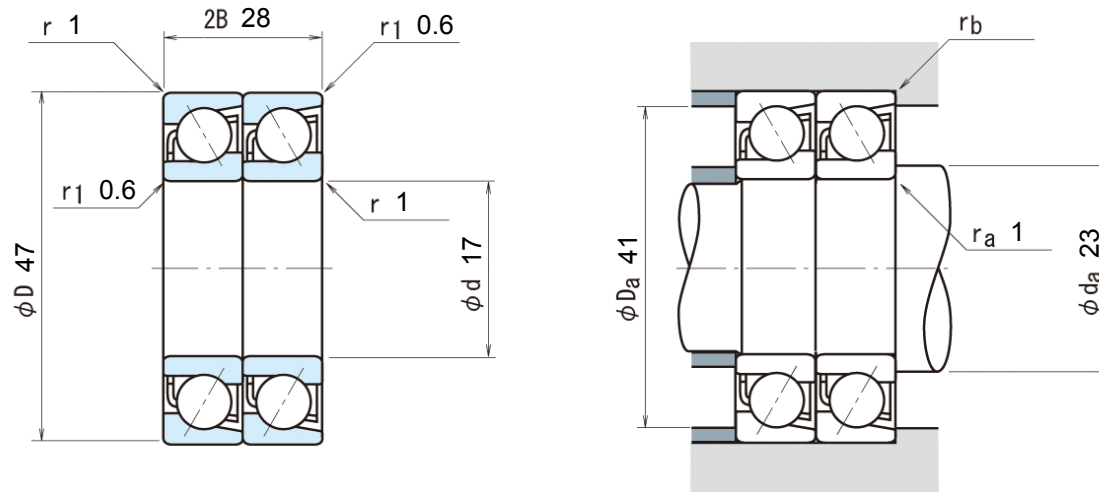


Boundary Dimensions (mm)					Basic Load Ratings (kN)		Limiting Speeds (min ⁻¹)		Bearing Numbers	NSKHPS
<i>d</i>	<i>D</i>	<i>2B</i>	<i>r</i> min.	<i>r1</i> min.	<i>C_r</i>	<i>C_{0r}</i>	Grease	Oil		
17	47	28	1	0.6	24	16	8000	11000	7303BWDT	



Factor	Mass (kg) approx.
<i>f₀</i>	approx.
-	0.236